



**STEELBUILT**  
WINDOW & DOOR® SYSTEMS

Architectural Specification Manual



ARCHITECTURAL  
one source. many solutions.®

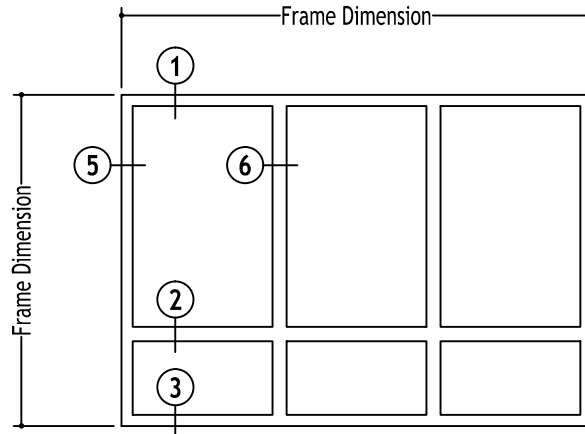
800.426.0279

TGPAMERICA.COM

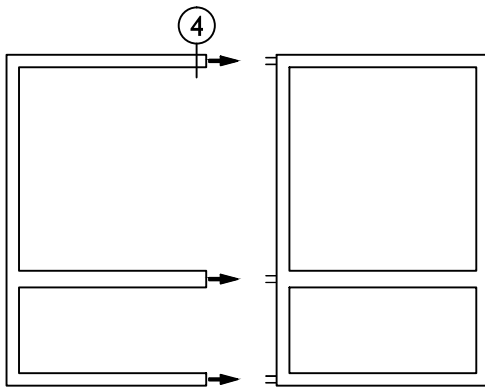


<b>Key</b>	<b>Material</b>	<b>Required Material</b> Not Provided by TGP
001	wall	Wall construction by other trades
002	shims	Perimeter shims at anchor locations. TGP recommends a 3/8" caulk joint between frame and all wall conditions.
003	finish sealant	Finish sealant to suit application. Color can be selected to match frames.
004	PVC glazing tape	Single or double sided, closed cell PVC glazing tape of any common brand.
005	cap seal	In exterior applications, use a continuous silicone sealant. Color can be selected to match frames.
006	glazing material	
007	neoprene setting blocks	Single or double sided, closed cell PVC glazing tape of any common brand.
008	heel bead	In exterior applications, apply a continuous bead of silicone sealant at the sill condition and 4" vertically up each jamb. Sealant must be installed between the glass edge and frame profile.
009	perimeter fastener	Because wall constructions vary widely in design, TGP does not provide perimeter fasteners (anchors). All frames are factory drilled to receive #12 head perimeter screws at approximately 18" on center.

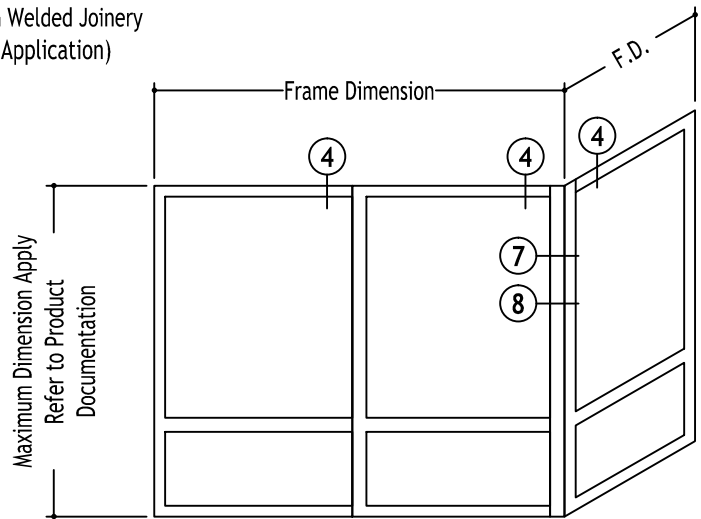
<b>Key</b>	<b>Material</b>	<b>Required Material</b> Provided by TGP
101	glazing bead	Snap-on glazing bead
102	snap anchor	Glazing beads snap onto, factory installed, steel snap anchors at approximately 12" on center.
103	mechanical joint connector	In the event of a mechanically joined frame, this clip inserts into the receiving end of the frame to be joined and fastens with provided screws. (Not used with exterior applications.)



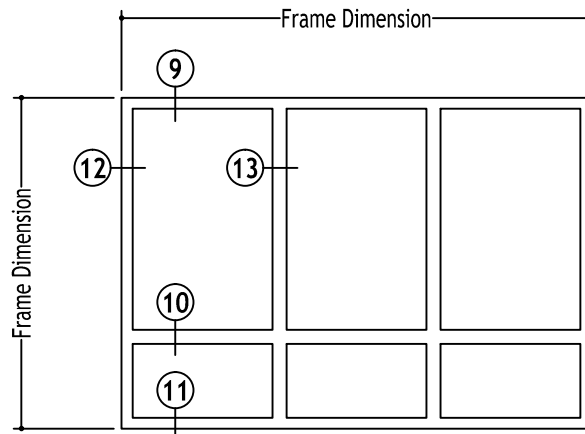
Window with Welded Joinery  
(Interior Application)



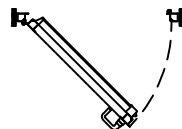
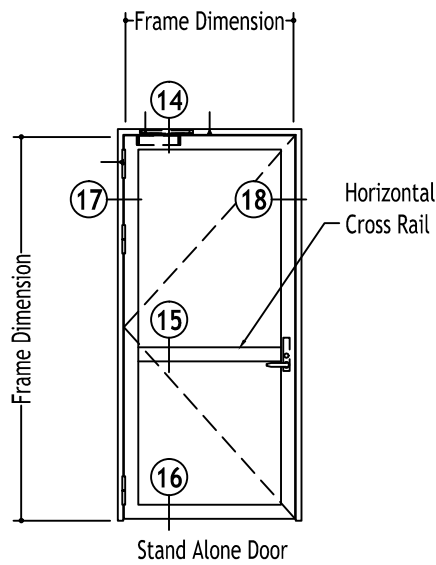
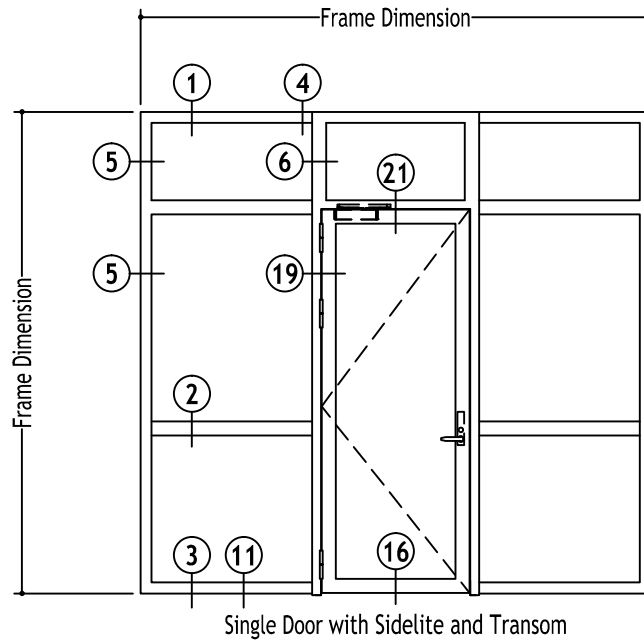
Mechanical Joinery Example

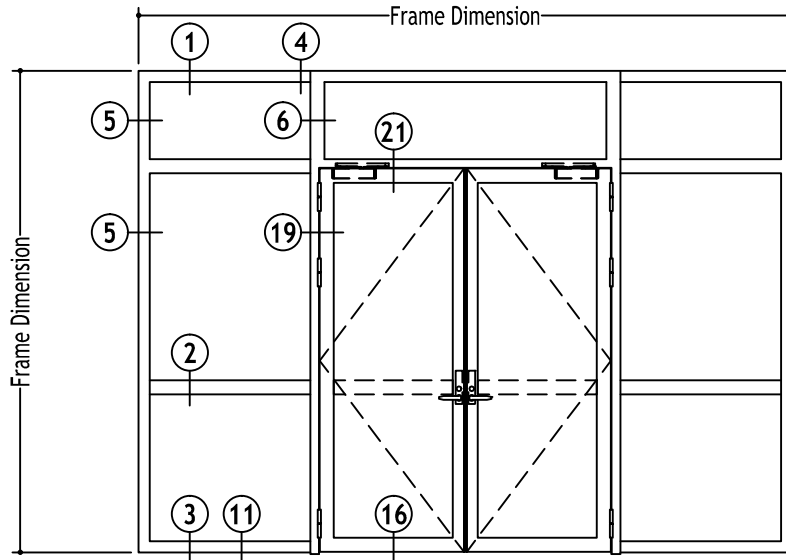


Mechanical Joinery and Corner

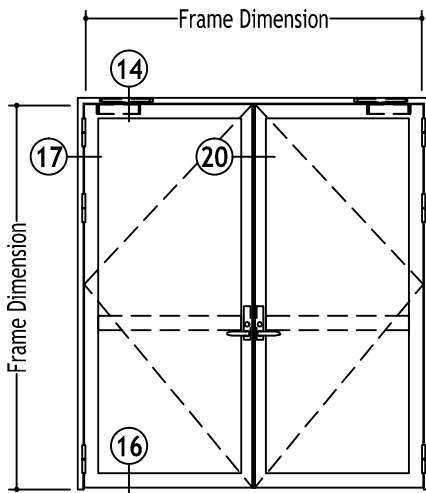


Window with Welded Joinery  
(Exterior Application)

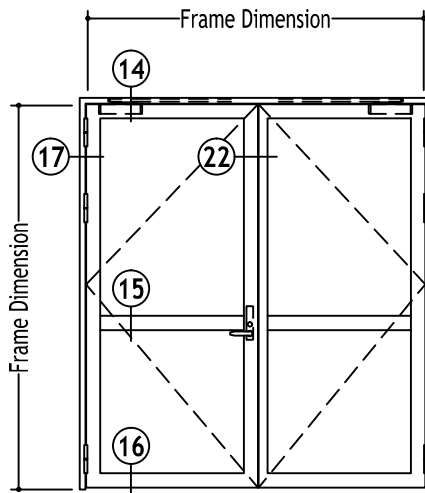
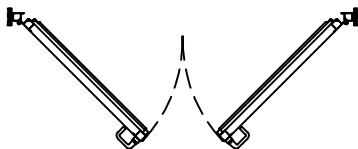




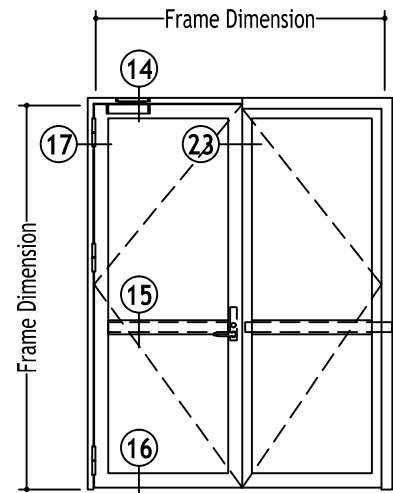
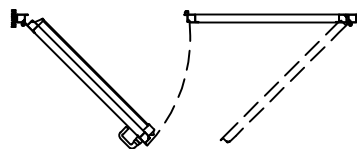
Pair of Doors with Sidelite and Transom



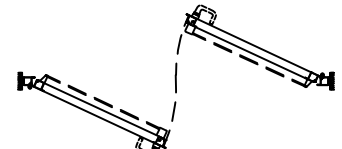
Pair of Doors  
Active / Active

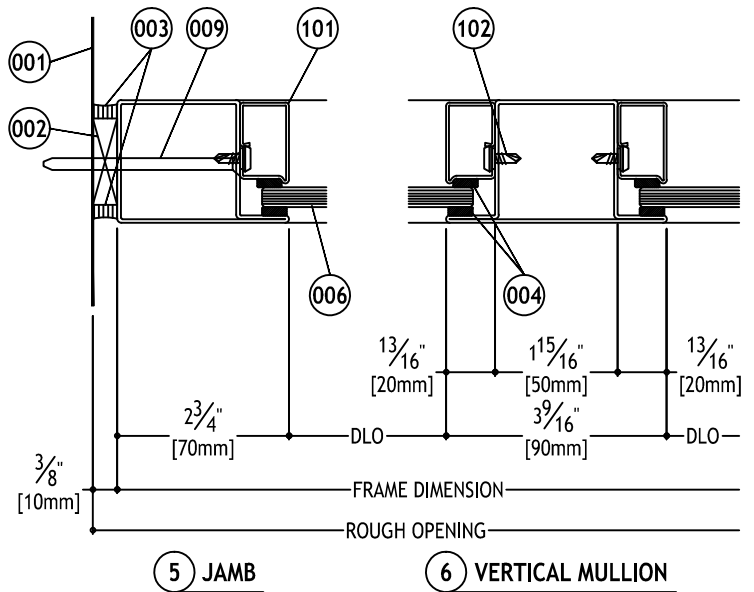
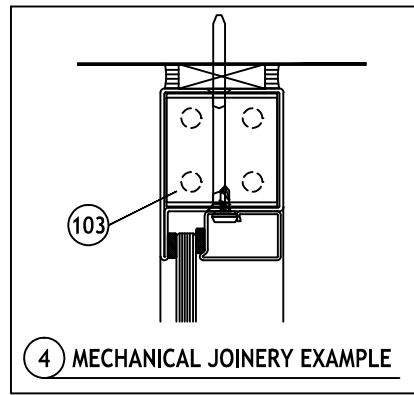
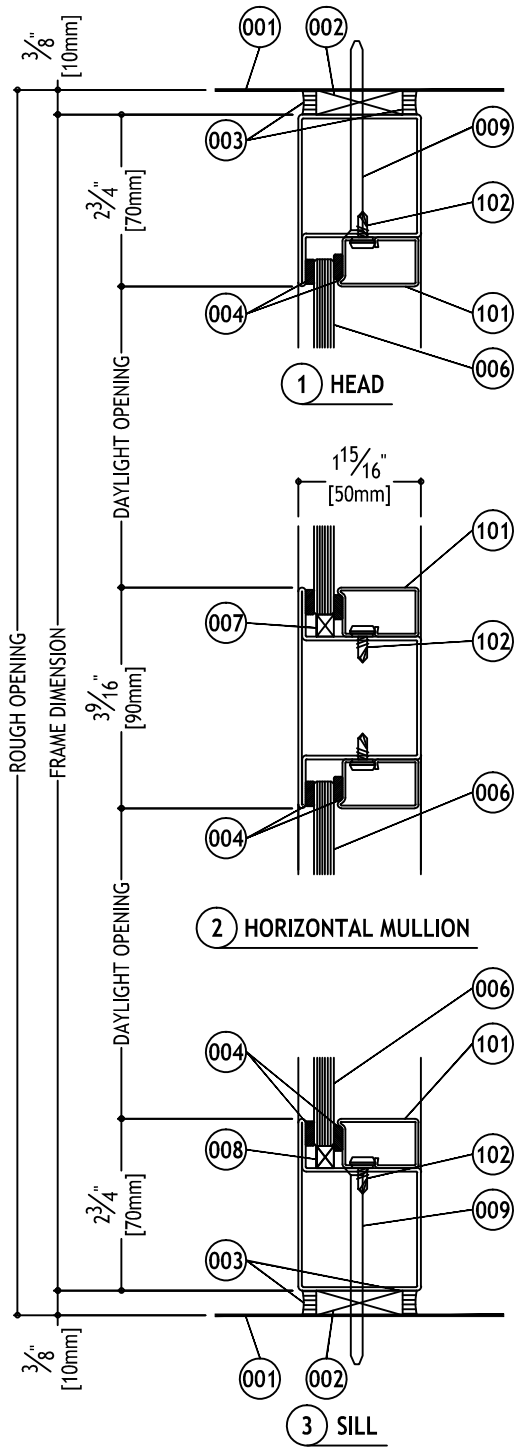


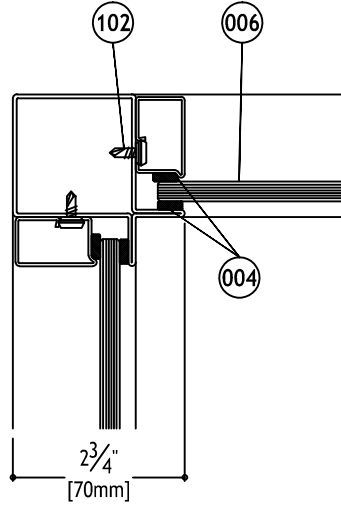
Pair of Doors  
Active / Fixed



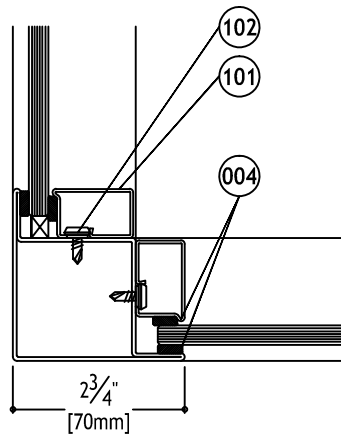
Pair of Doors  
Double Egress



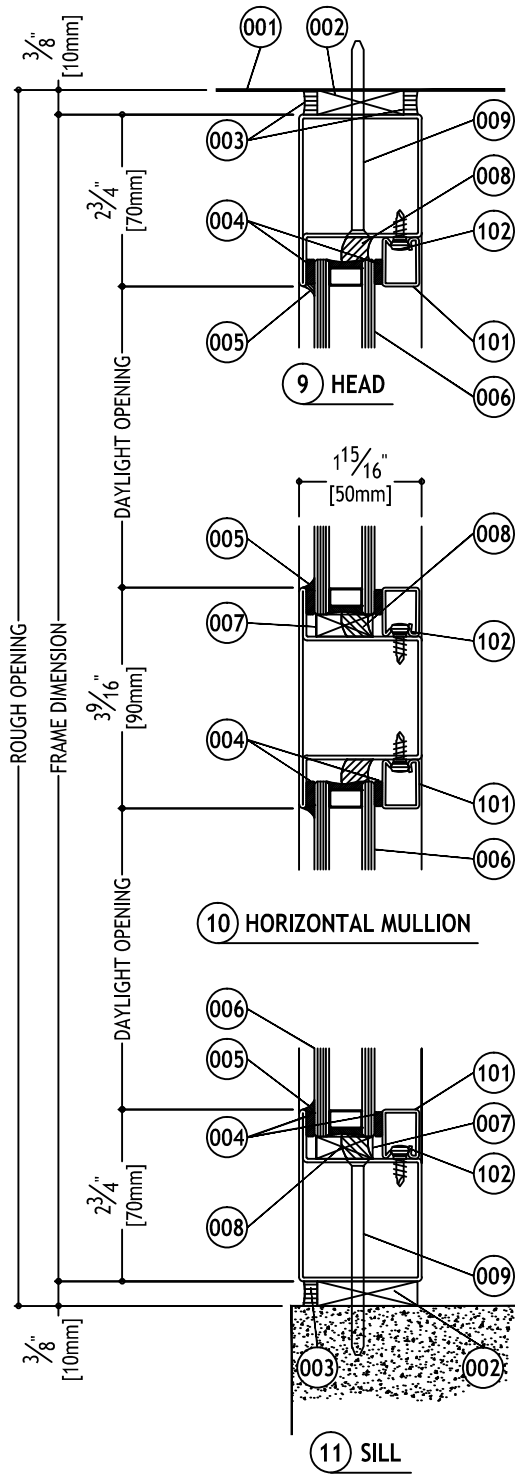




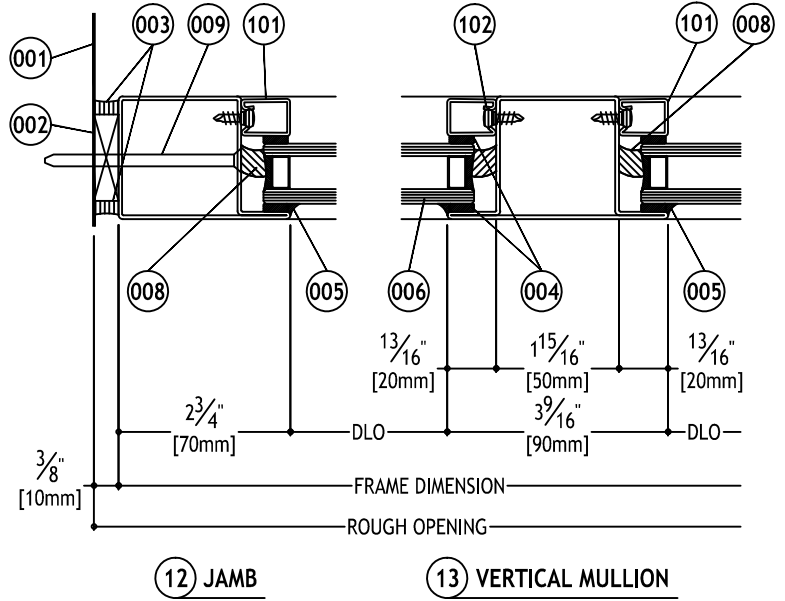
7 90° INSIDE CORNER



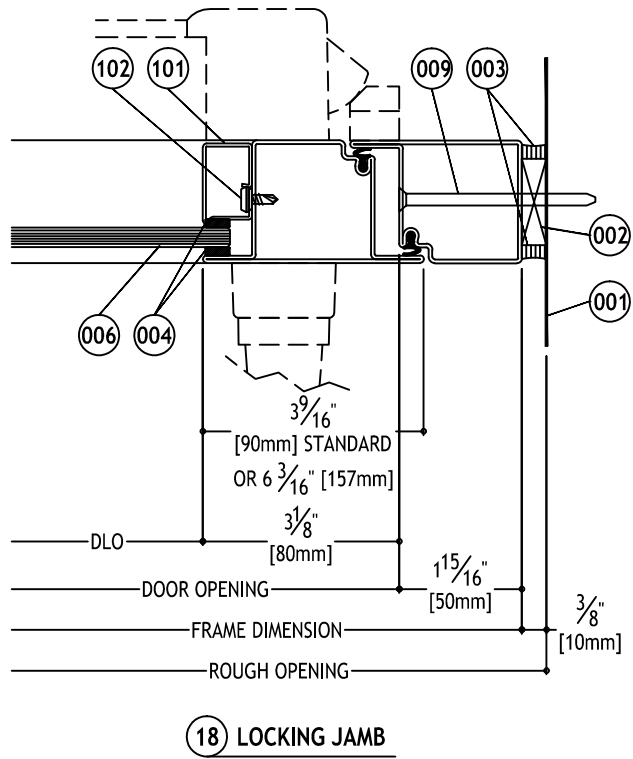
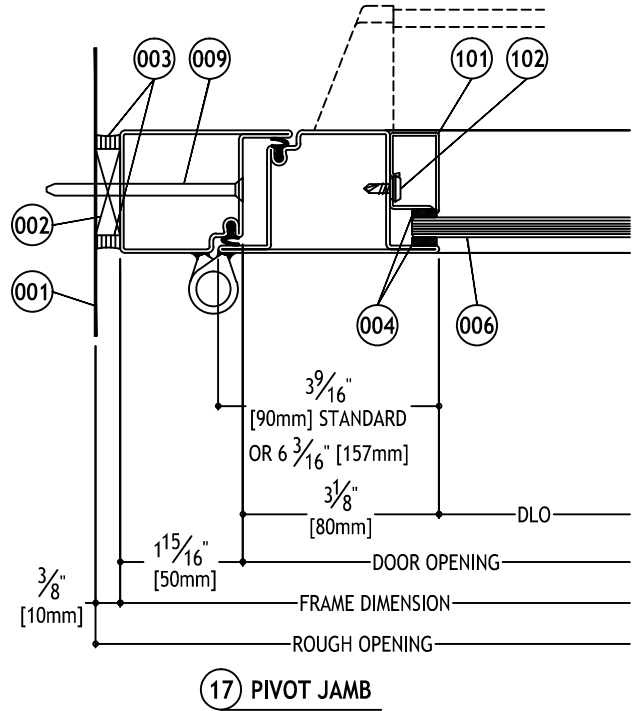
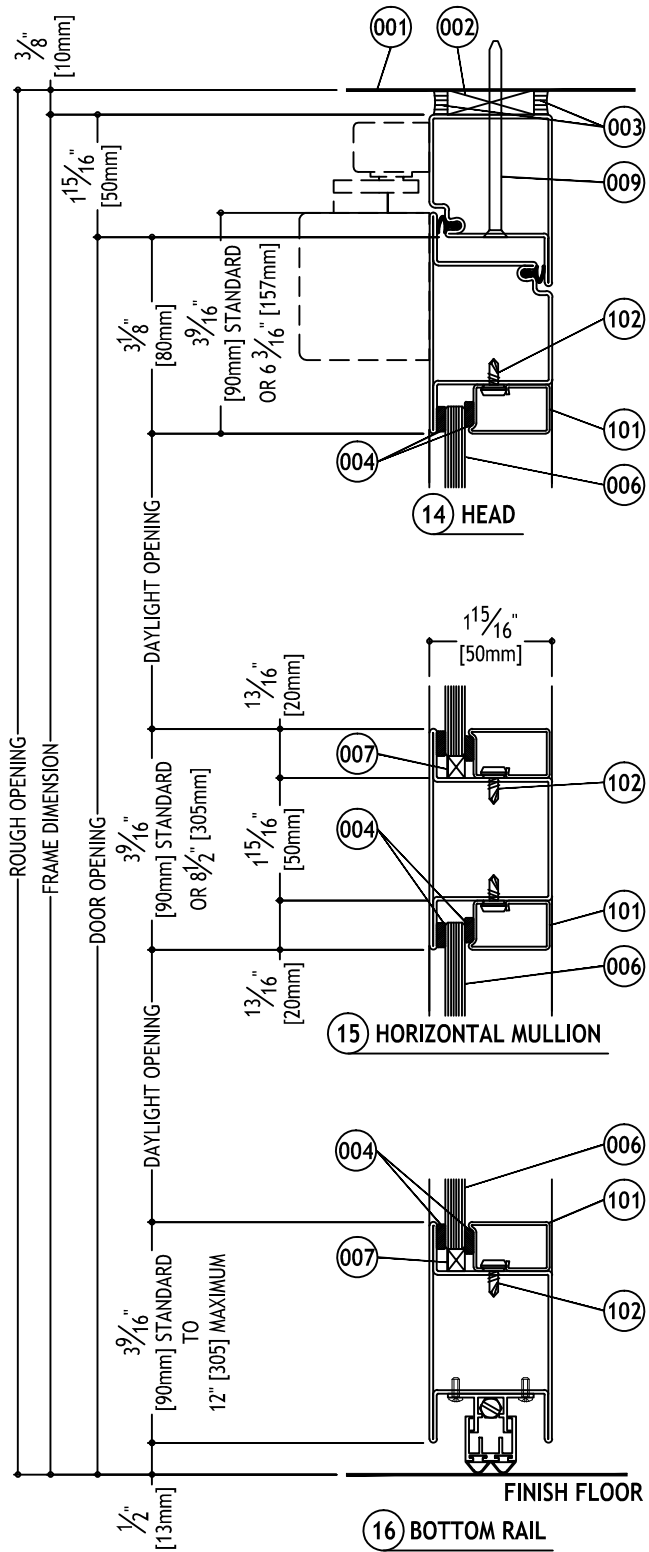
8 90° OUTSIDE CORNER

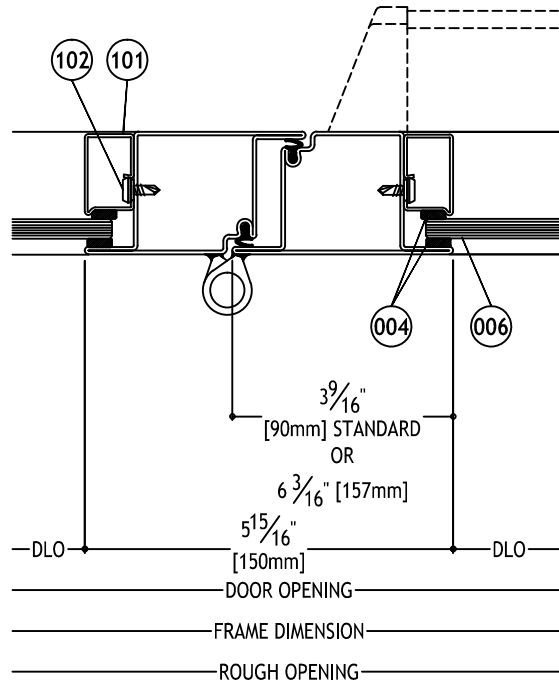


NOTE: TYPICAL IGU SHOWN

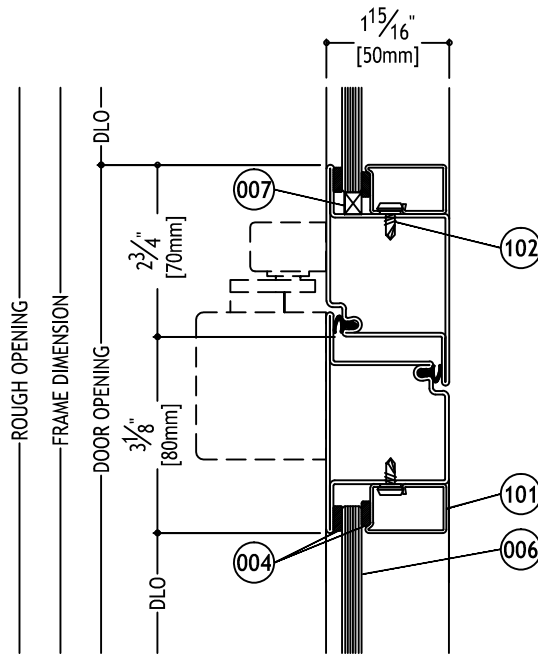




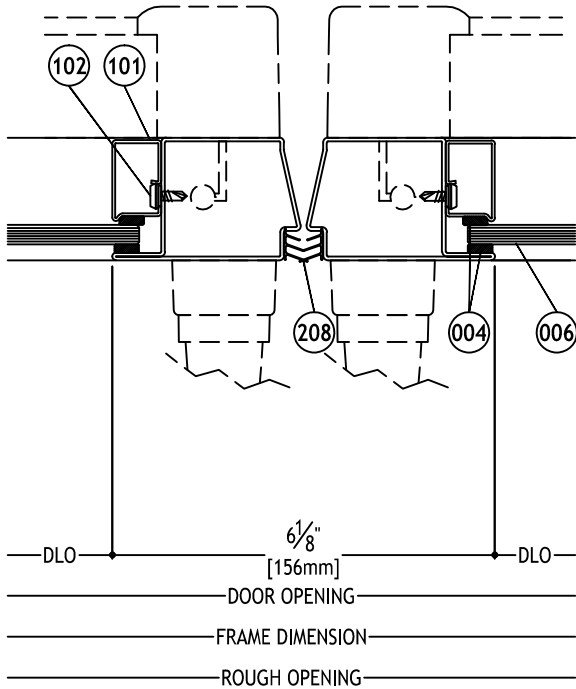




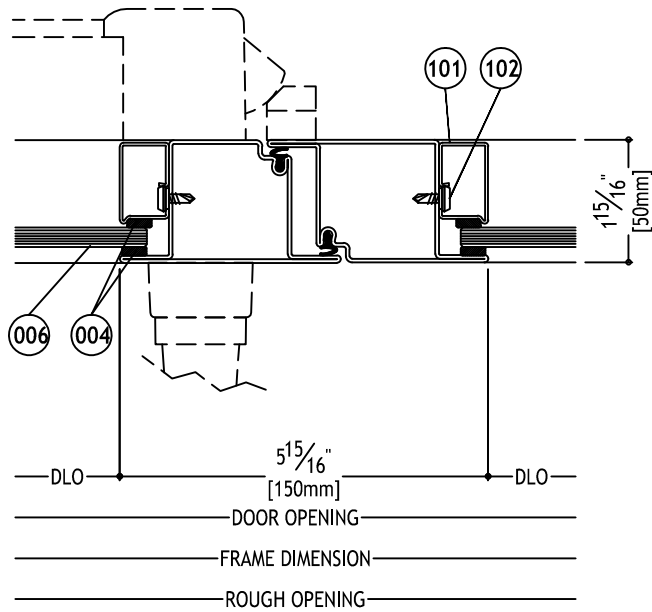
19 SIDELITE



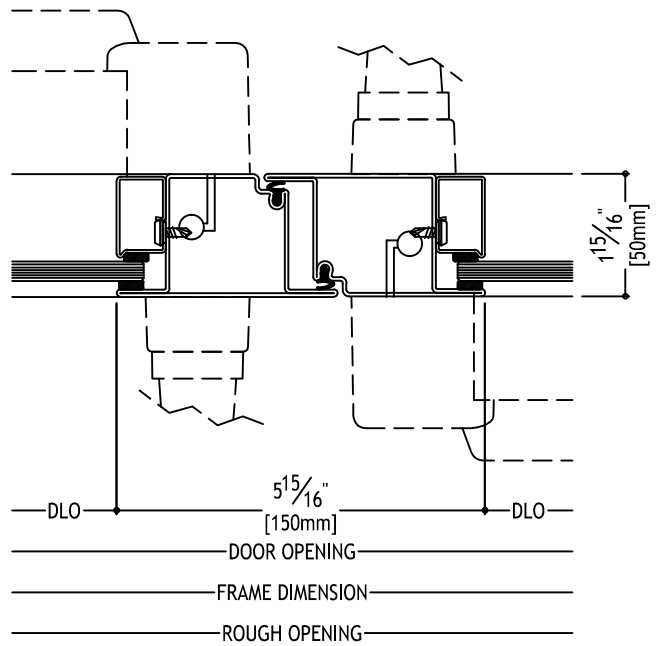
21 TRANSOM



**20** ACTIVE / ACTIVE MEETING STILE



**22** ACTIVE / FIXED MEETING STILE



**23** DOUBLE EGRESS MEETING STILE  
UP TO 60 MINUTE RATING